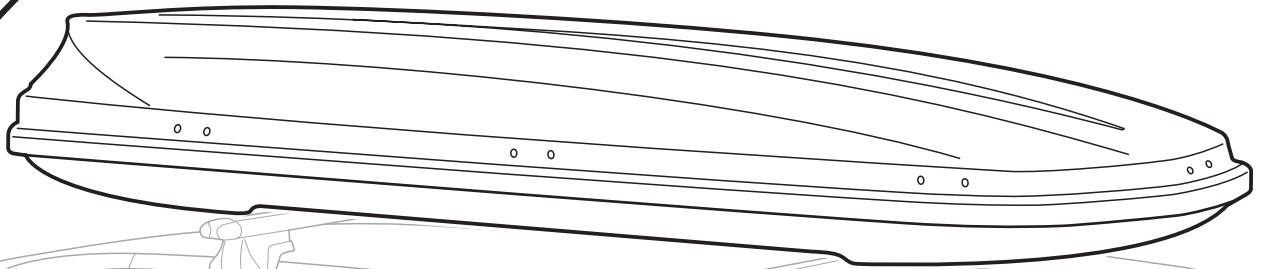


**GB** Fitting instructions  
**D** Montageanleitung  
**F** Instructions de montage  
**NL** Montage-instructies  
**I** Istruzioni per il montaggio  
**E** Instrucciones de montaje  
**PT** Instruções de Montagem  
**S** Monteringsanvisning  
**FIN** Asennusohje  
**EST** Paigaldusjuhend  
**LAT** Stiprināšanas instrukcija  
**LIT** Pritvirtinimo instrukcijos  
**PL** Instrukcja montażu  
**RU** Инструкции по установке  
**CZ** Návod na montáž

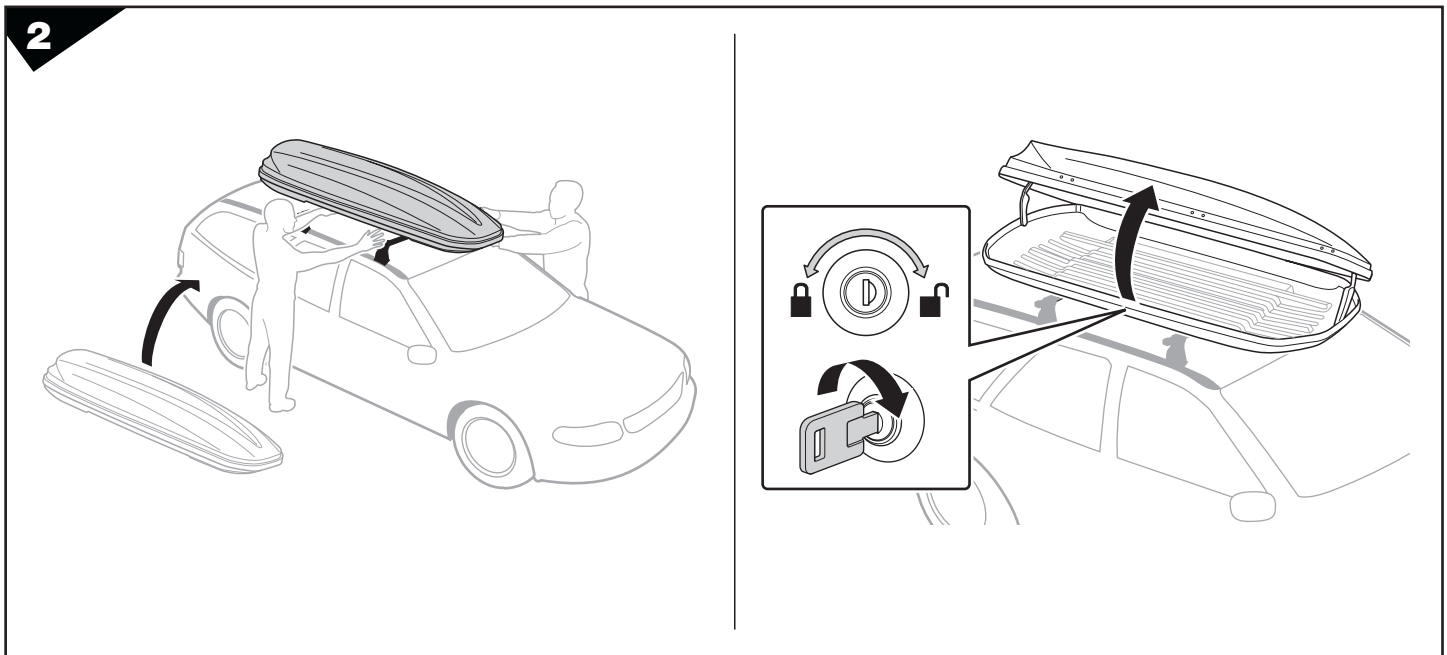
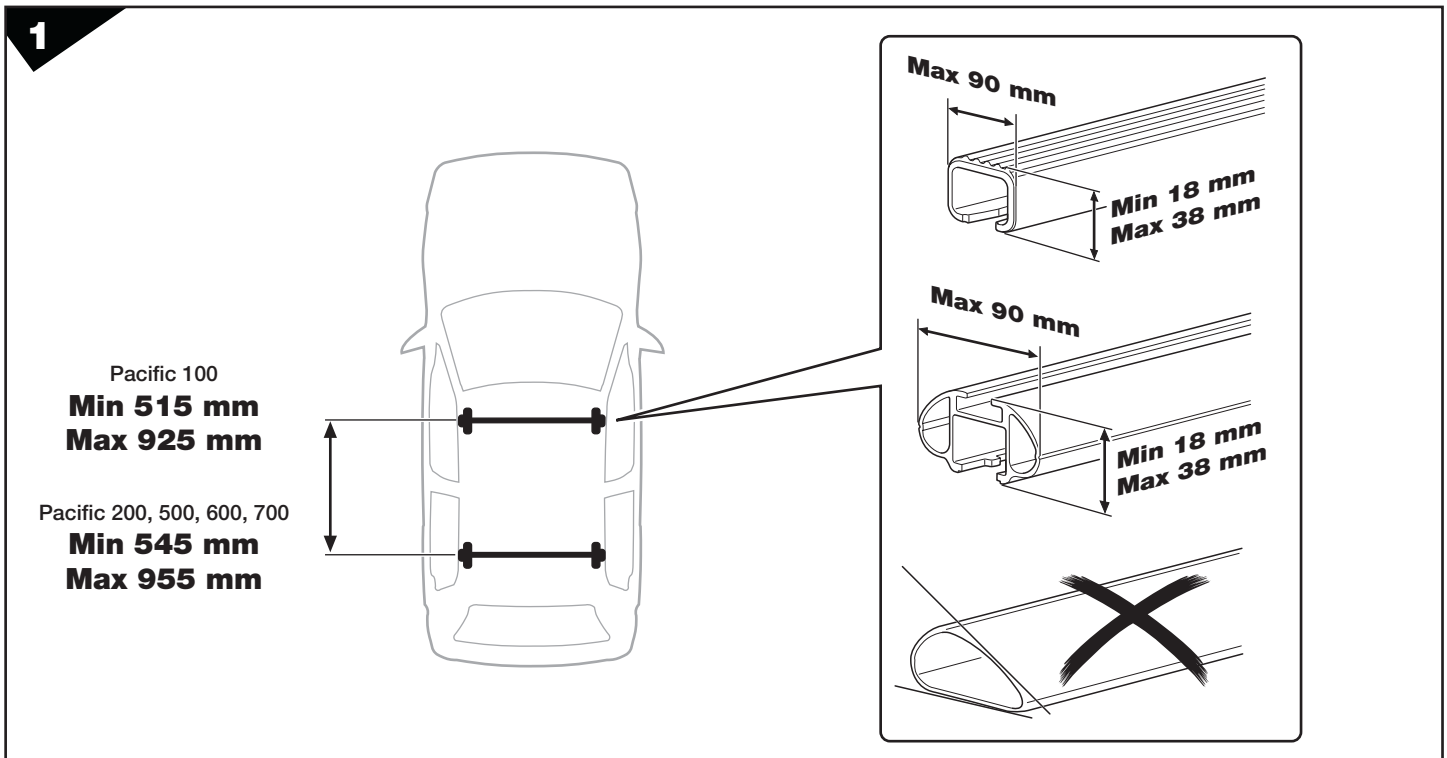
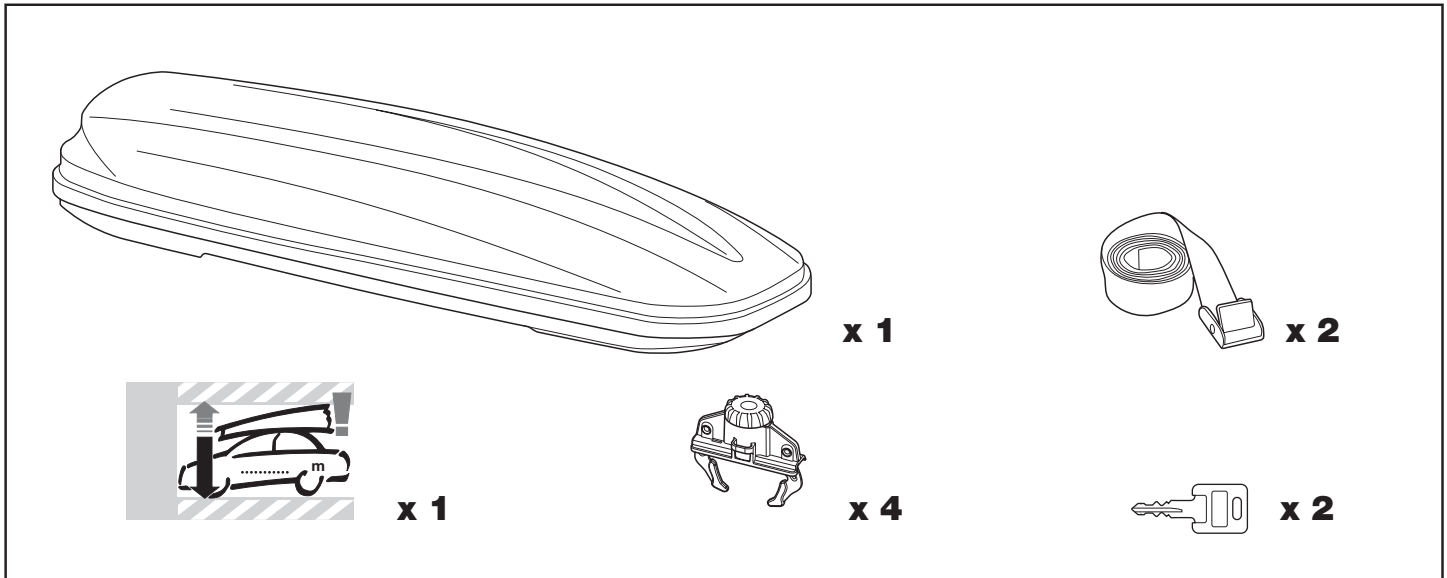
**SK** Návod na montáž  
**SLO** Navodila za pritrjevanje  
**HR** Uputa za sastavljanje  
**HU** A felszerelés módja  
**GR** Οδηγίες συναρμολόγησης  
**TR** Montaj talimatları  
**中文** 安装说明  
**日本語** 取扱(取付)説明書  
**한국어** 장착 지침  
**ไทย** คำแนะนำการติดตั้ง



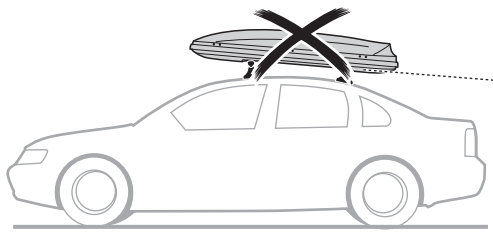
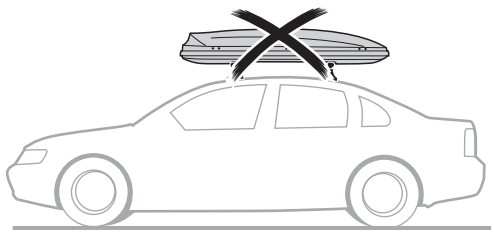
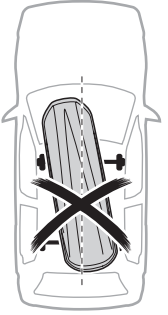
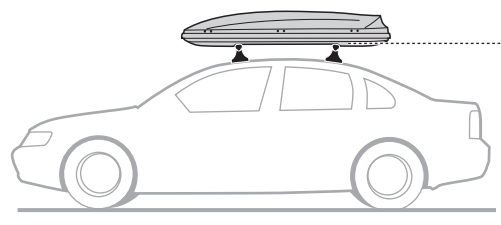
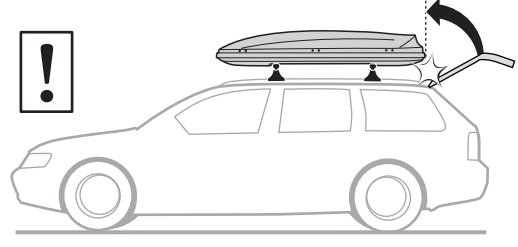
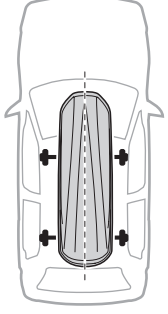
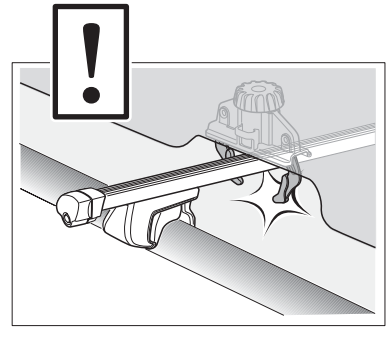
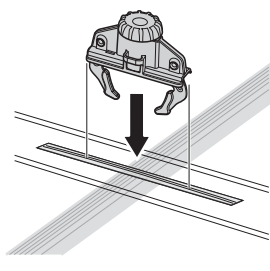
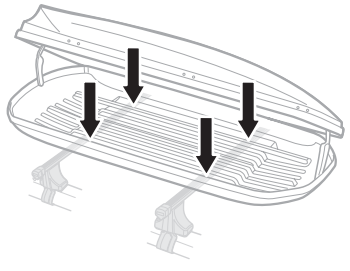
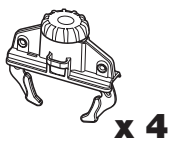
**Pacific**  
100, 200, 500, 600, 700

**Follow me...**

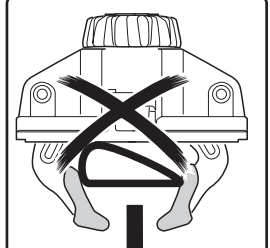
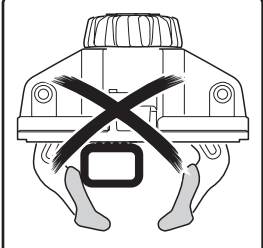
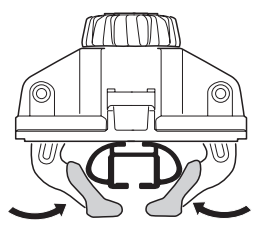
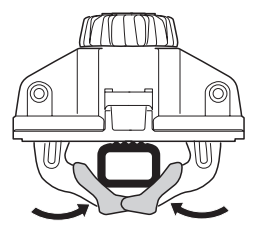
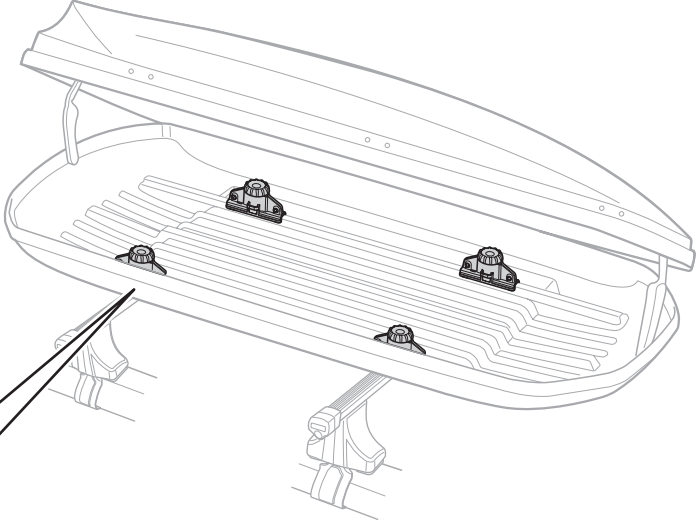
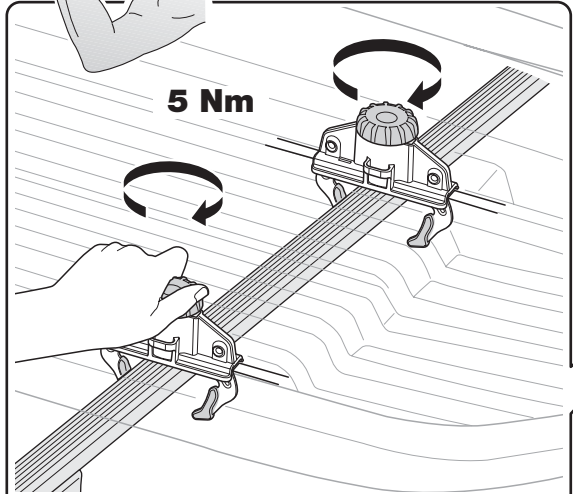
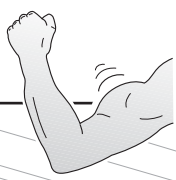




3



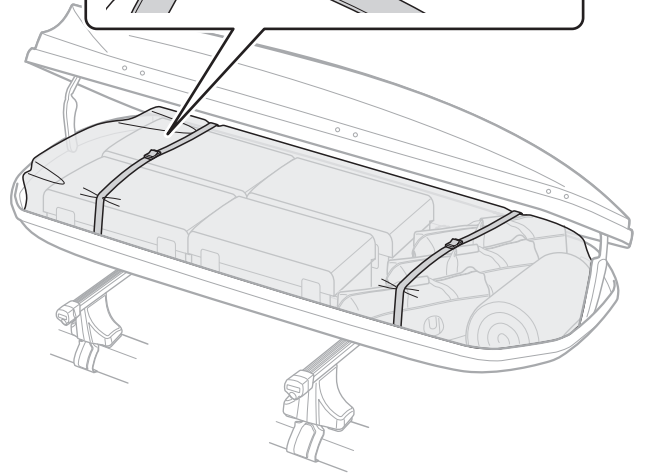
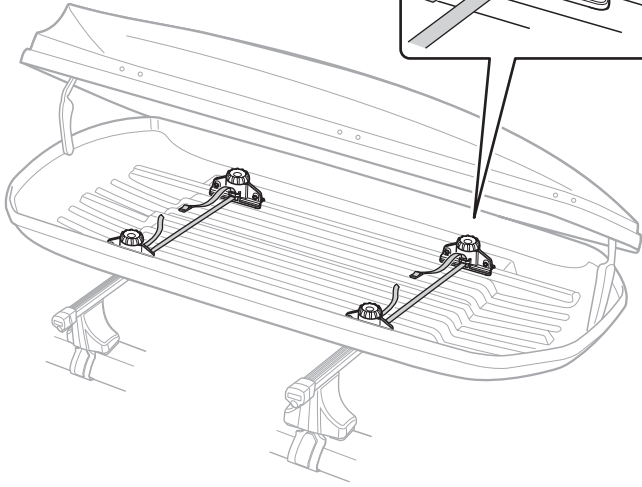
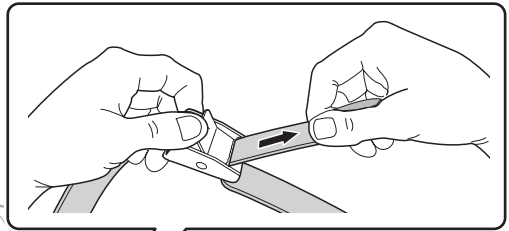
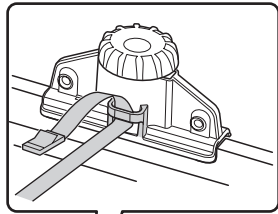
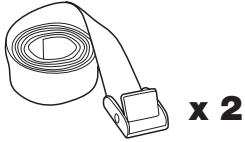
4



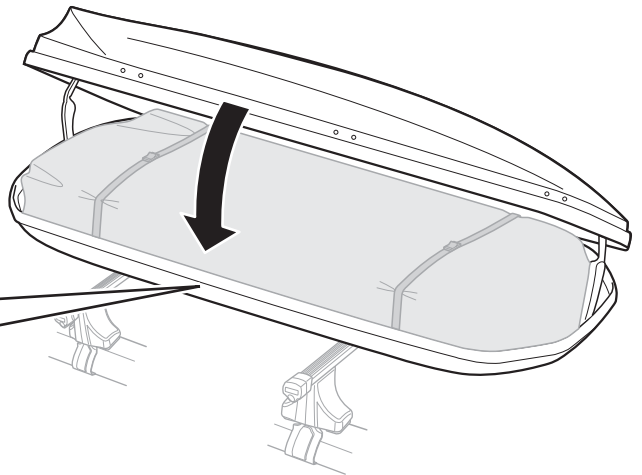
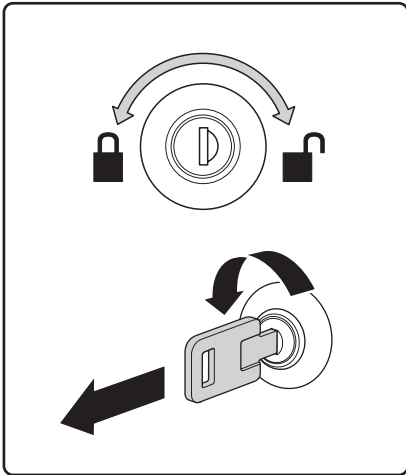
**Thule T-Nut Adapter**

**696400**  
**697400**

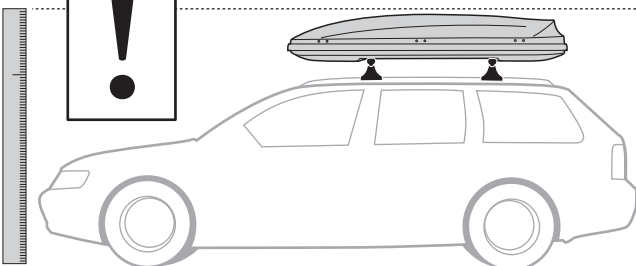
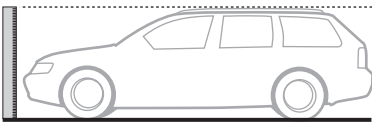
5



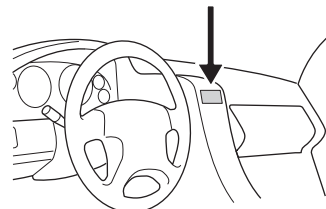
6



7



XX m



**GB** Accessories  
**D** Zubehör  
**F** Accessoires  
**NL** Accessoires  
**I** Accessori  
**E** Accesorios  
**PT** Acessórios

**S** Tillbehör  
**FIN** Lisävarusteet  
**EST** Lisavarustus  
**LAT** Piederumi  
**LIT** Priedai  
**PL** Akcesoria  
**RU** Аксессуары

**CZ** Doplnky  
**SK** Príslušenstvo  
**SLO** Dodatki  
**HR** Dodaci  
**HU** Tartozékok  
**GR** Παρελκόμενα  
**TR** Aksesuarlar

中文 附件  
 日本語 付属品  
 한국어 액세서리  
 ไทย อุปกรณ์เสริม

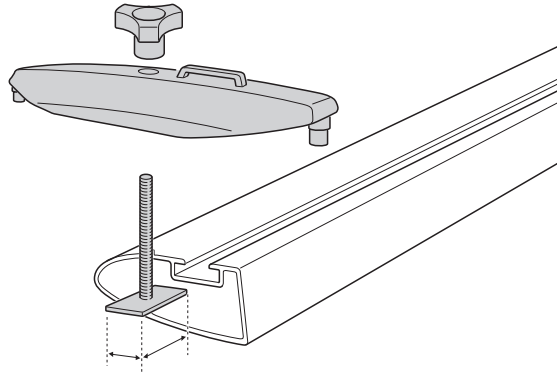
Thule T-Nut Adapter

**696400**

→ 24x30 mm

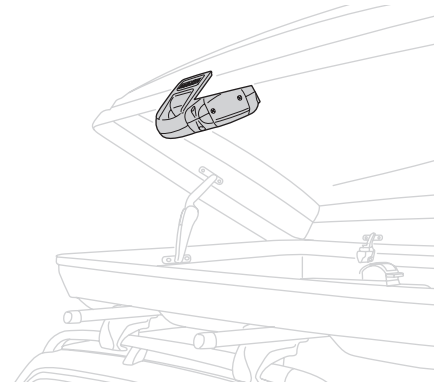
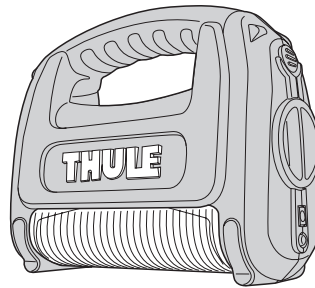
**697400**

→ 20x20 mm



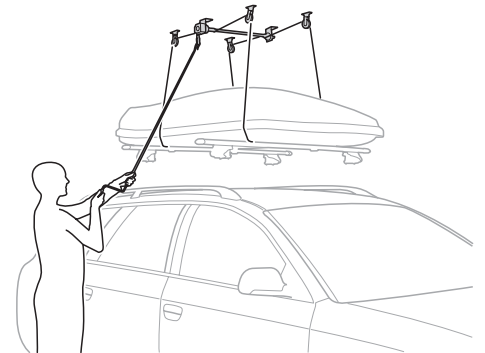
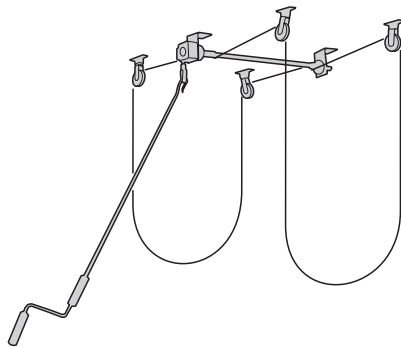
Thule Clamp Lamp

**850**  
850000



Thule Boxlift

**571**  
571000



Thule Skicarrier

**694500**

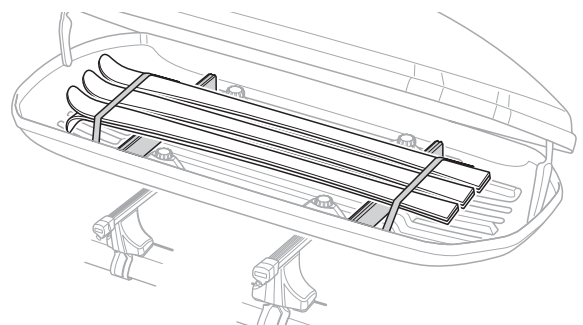
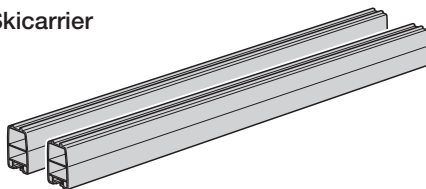
→ Thule Pacific 500

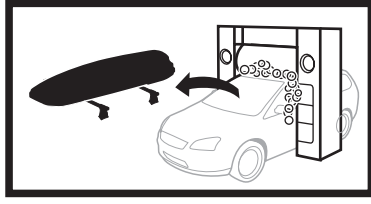
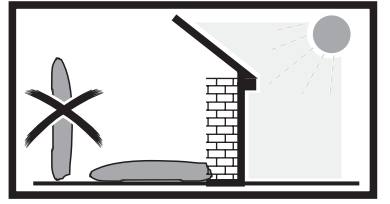
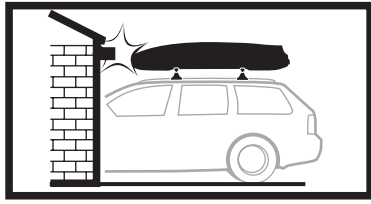
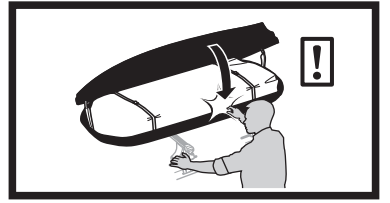
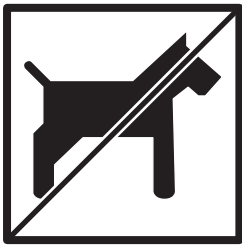
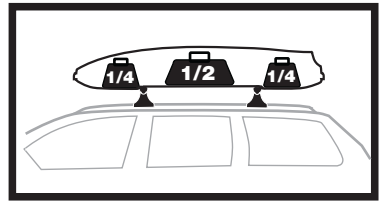
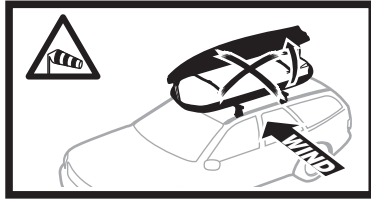
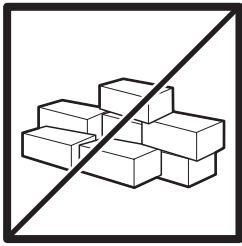
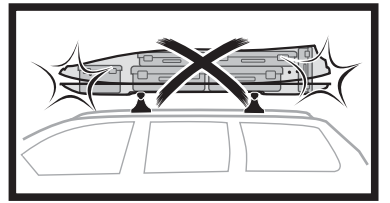
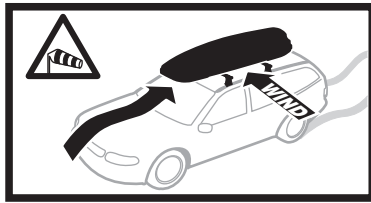
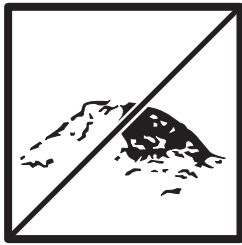
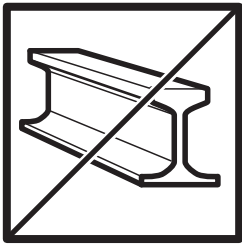
**694600**

→ Thule Pacific 600

**694700**

→ Thule Pacific 700

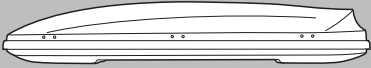




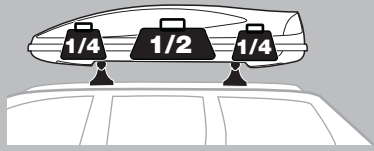
**THULE**  
**ONE KEY SYSTEM**

- 544 (x4)
- 596 (x6)
- 588 (x8)
- 452 (x12)

1. Insert the key into the lock cylinder at a 45-degree angle.
2. Push the key forward into the lock.
3. Turn the key to the right to lock the door.
4. Push the key forward into the lock.
5. Turn the key to the left to unlock the door.
6. Push the key forward into the lock.
7. Turn the key to the right to lock the door.
8. Turn the key to the left to unlock the door.



Pacific **100**: 12 kg  
 Pacific **200**: 14 kg  
 Pacific **500**: 12 kg  
 Pacific **600**: 13 kg  
 Pacific **700**: 15 kg



**Max.  
50 kg**

Kaufdatum/Date of purchase:

Kassenzettel hier abheften  
 Place receipt here

Händler/Dealer:

Stempel/stamp

Ihre Schlüsselnummer  
 Your Key-Number

